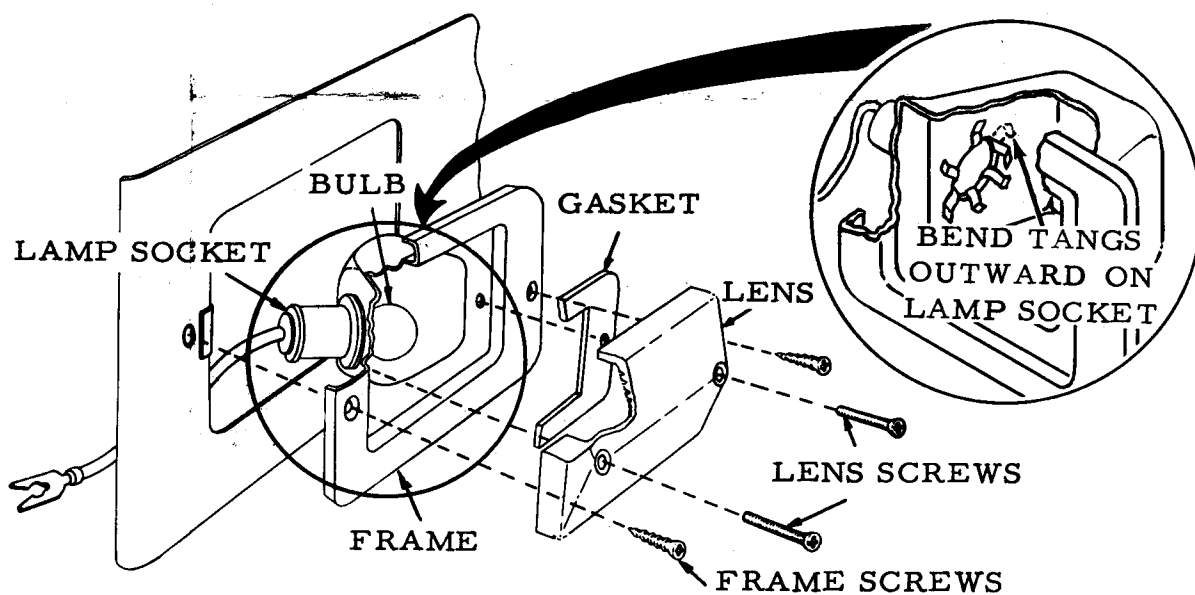


8. Route directional signal wiring harness to front end along wiring harness on left hand fender skirt attaching it with existing wire clips. Attach the wire for the right hand parking lamp to the radiator upper baffle using the existing clips.



9. Remove the two screws holding the parking lamp assembly frame to the grille and the two screws holding the parking lamp lens and replace existing parking lamp sockets, wiring assemblies and light bulbs. After assembling socket in lamp body, bend tangs outward approximately as shown by the dotted lines. Connect the parking lamp wires with spade terminals to the same terminals on junction blocks from which the original wires were removed. Connect the remaining wires to those brought forward from the directional signal harness.

PART NO. 3707908